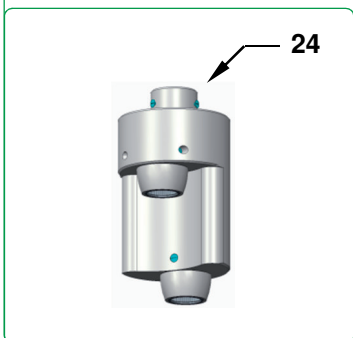
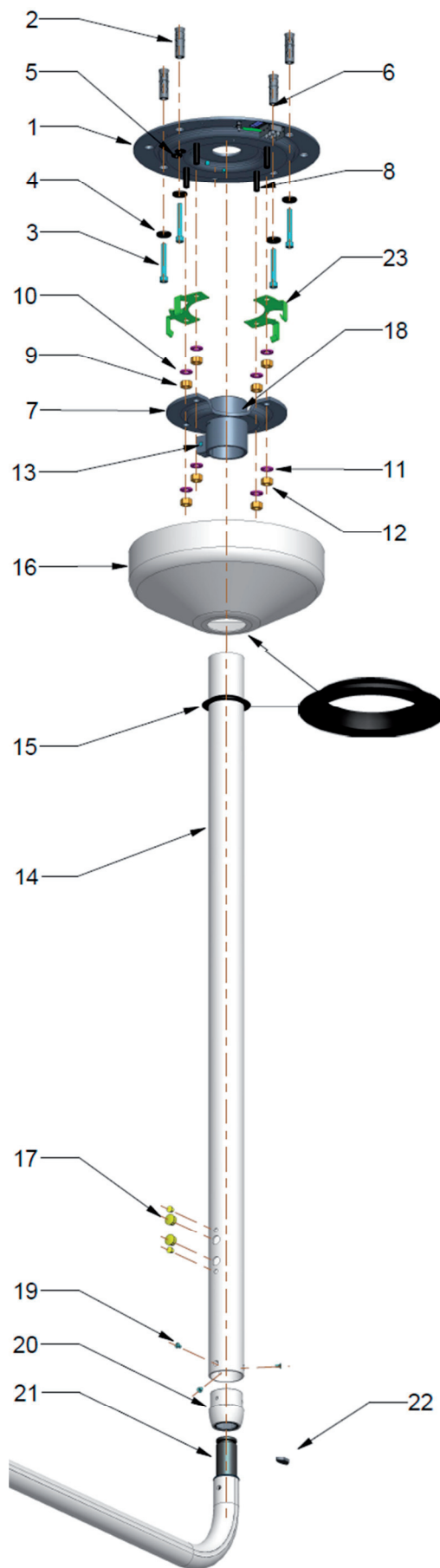


## CEILING FITTING

1. Ceiling flange
2. Expander
3. Screw
4. Washer
5. Cable gland
6. Terminal block
7. Flange
8. Screw
9. Nut
10. Washer
11. Washer
12. Nut
13. Screw
14. Rod
15. Ring
16. Ceiling fixture
17. Plug
18. Screw
19. Screw
20. Rod bushing
21. Lamp pin
22. Insert
23. Anchoring guide
24. DUO fitting



## ASSEMBLY INSTRUCTIONS

**NOTE 1.** The fitting must be installed by skilled technicians.

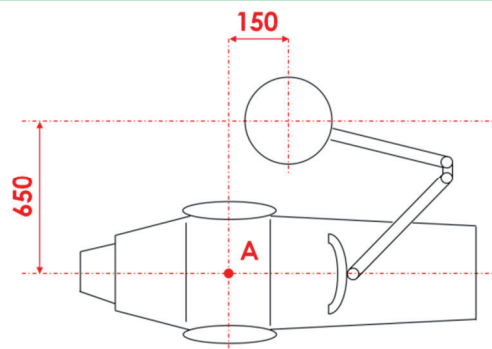
**NOTE 2.** The power supply in the room where the fitting is to be installed must always be switched off.

**NOTE 3.** Before starting assembly, it is necessary to make sure that the ceiling is capable of bearing the weight of the fitting. The anchor bolts provided must be used **ONLY** with the following base materials: concrete, natural stone. They are not suitable for other materials.

**NOTE 5.** Maximum load applicable: 70 kg.

**NOTE 4.** Install in rooms with electrical plant conforming to current national regulations for medical facilities.

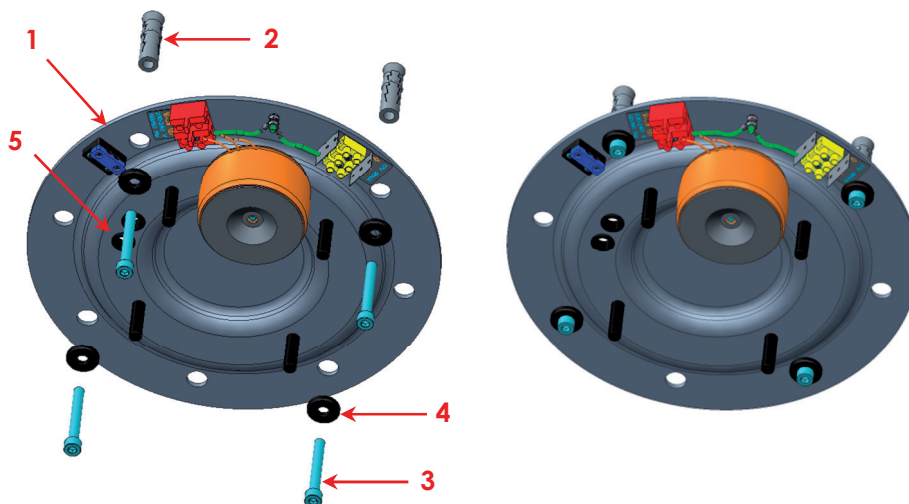
**A.** Using the centre of the chair as a reference point (A), install at a distance of 650mm and 150mm in the directions shown in the figure



**B.** Dismantle the flange (7) by removing the nuts (12) and washers (11)

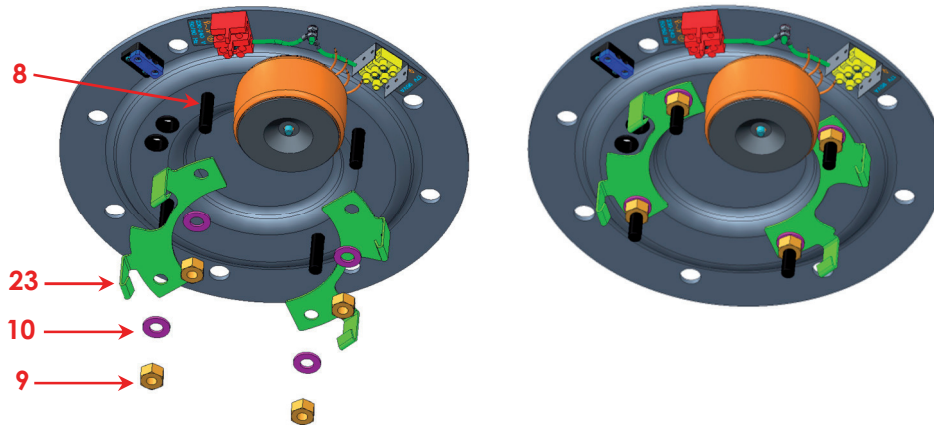
**C.** Using the flange (1) as a guide, drill four holes in the ceiling using a  $\varnothing 14$  drill bit. Place the expanders in these holes (2)

**D.** Pick up the flange (1). Pass the power cable through the cable gland (5), then press the flange against the ceiling (1) making sure not to crush the cable between the flange (1) and the ceiling. Put the washers (4) on the screws (3), and then fit them through the 4 holes used for making the holes in the ceiling. Tighten the screws (3) using the hexagonal spanner provided (assembly accessories)



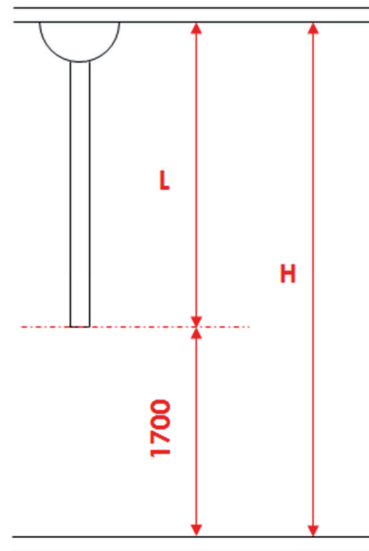
**E.** Connect the power cable to the terminal block (6) (see wiring diagrams page 7-8)

**F.** Fit the 2 anchor guides (23) onto the screws (8) and secure them with the nuts (9) and washers (10)



**G.** Calculate the right length of the rod (14), using the formula  $L=H-1700\text{mm}$ . Remember to cut off the excess part of the rod (14) at the end where there are NO side holes

**H.** Insert the rod (14) into the flange (7) and mark the position of the holes in the flange (7) on the rod (14). Check the position of the rod with regard to the combined chair unit. Pull out the rod and drill two through holes  $\text{Ø}8$  at the positions marked

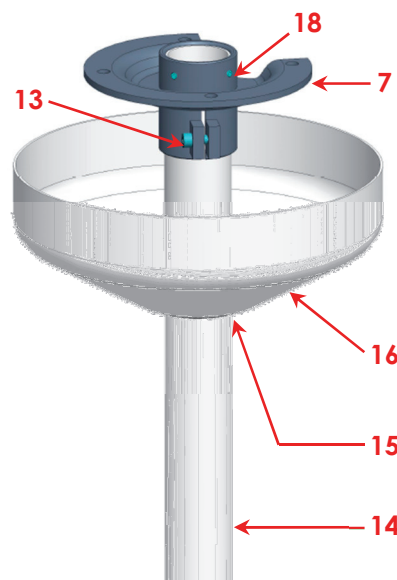


**I.** Push the ring (15) onto the rod (14) to a distance of about 300 mm (this is not the final position but just temporary for assembling)

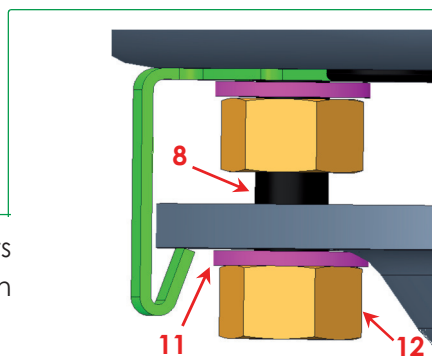
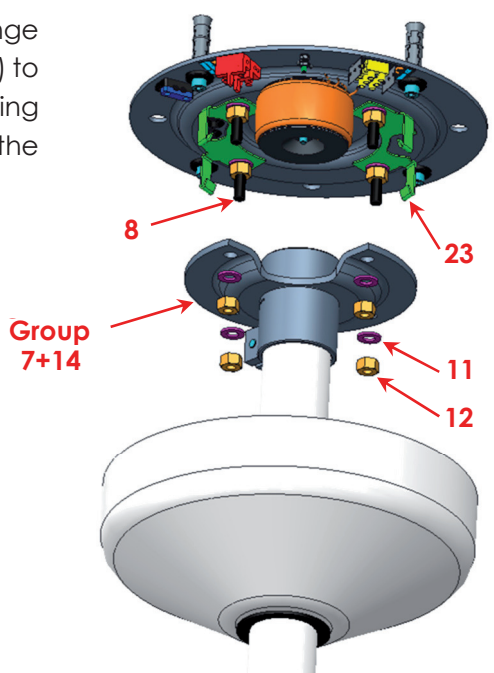
**J.** Fit the ceiling fitting (16) onto the rod (14)

**K.** Introduce the rod (14) into its hole in the rod connection flange (7)

**L.** Secure the screw (13) and two screws (18) using the hexagonal spanners (assembly accessories). Tighten the screw (13) and make sure that the screws (18) pass through the holes in the rod (14)



**M.** Attach the assembled unit (flange and rod connection (7) + rod (14) ) to the anchoring guides (23), centring the 4 holes of the flange (7) on the screws (8) of the ceiling flange (1)

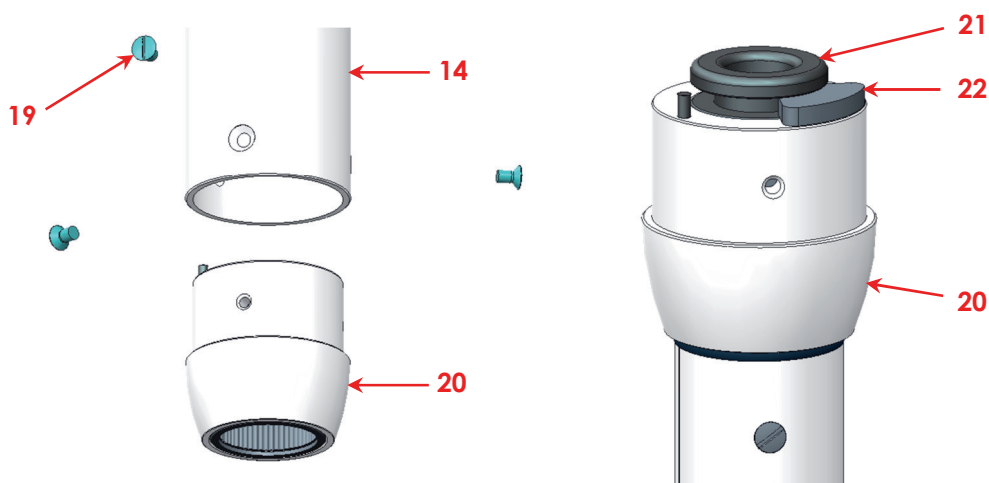


**N.** Screw on (without tightening) the nuts (12) and the remaining washers (11) on the screws (8) of the ceiling flange (1)

**O.** Unscrew the three screws (19) of the rod (14); remove the bushing (20)

**P.** Push the bushing (20) onto the pin (21) of the lamp

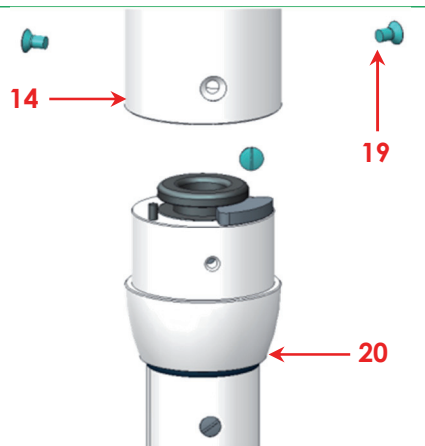
**Q.** Put the insert (22) into the groove of the pin (21)



**R.** Insert a suspension cord into the rod (14) from above

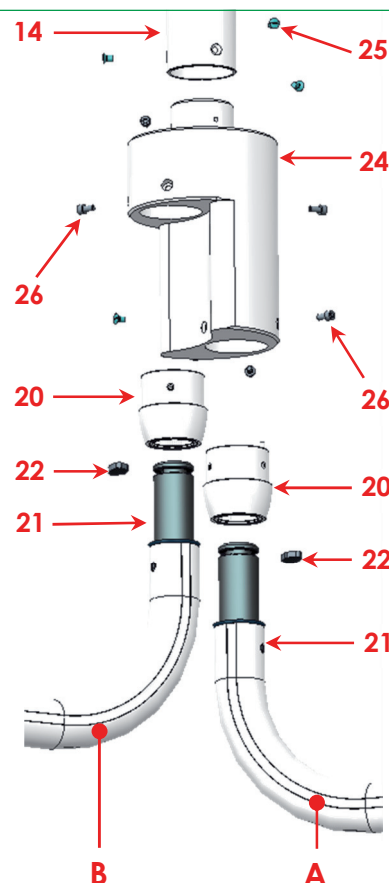
**S.** Connect the electrical wire of the lamp to the suspension cord

- T.** Insert the lamp into the rod (14) and secure it with the three screws (19, for the DUO fitting 26). Align the holes in the bushing (20) with the screw holes on the rod (14), and then tighten the screws. Simultaneously, pull the suspension cord until the lamp's electrical wire comes out of the rod connection flange (7) leaving about 200mm of loose wire



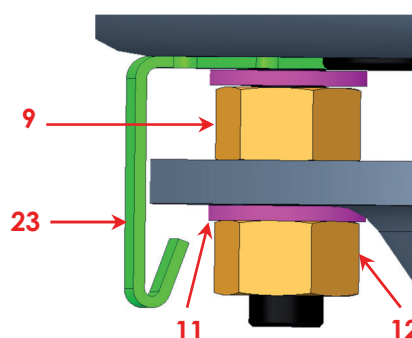
**If using the DUO fitting**

- Unscrew the six screws (26) of the bushings of the DUO (24) and remove the two bushings (20)
- Attach the DUO (24) to the rod (14) using the three screws (25)
- Fit bushings (20) onto pins (21)
- Put the insert (22) into the grooves of the pins (21)
- Insert a suspension cord in the rod (14) from above
- Connect the electrical wire of the first application (A) to the suspension cord
- Insert the lamp in the DUO (24) and anchor it with three screws (26). Align the holes of the bushing (20) correctly and then tighten them. Simultaneously, pull the suspension cord until the lamp's electrical wire comes out of the rod connection flange (7) leaving about 200mm of loose wire
- Repeat the last three steps for the second application (B)

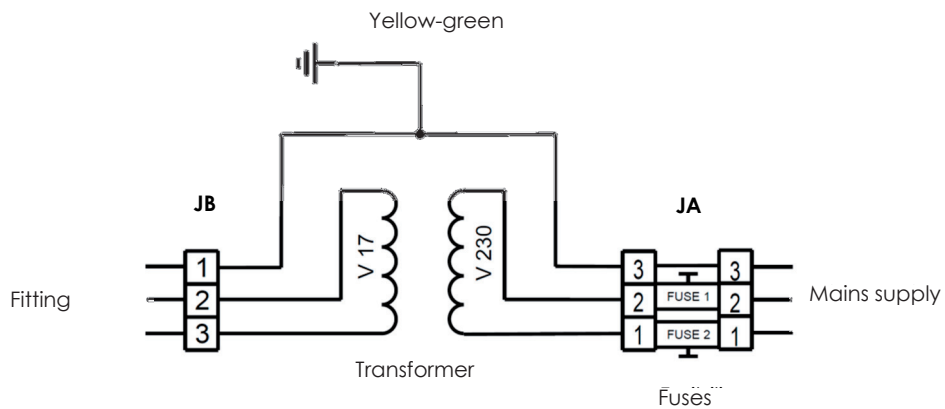
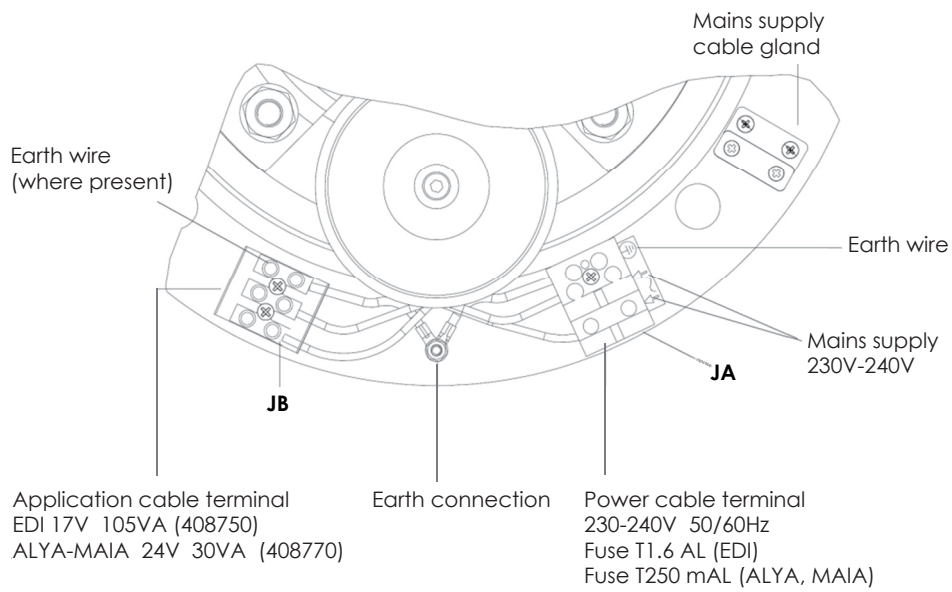


- U.** Connect the electrical wire of the lamp to the terminal blocks (6) (see electrical drawings page 7-8)

- V.** Adjust the nuts (9) so that the rod hangs perpendicular to the floor
- W.** Tighten nuts (12) and washers (11) to anchor the flange (7) without it resting on the anchoring guides (23)
- X.** Mount the ceiling fitting (16) flush with the ceiling, and push ring (15) into place



### Ceiling fitting WITH transformer



### Technical specifications

Cod. 408750  
 EDI Transformer – Lamp  
 230 – 17V 105VA

Cod. 408770  
 Alya Transformer – Lamp, Maia Lamp  
 230 – 24V 30VA

## Ceiling fitting WITHOUT transformer

